

# FS-10798E Series

## Flow Rate Settings: 2.0 - 75 (l/m) variable adjustment of set points

These externally adjustable switches are ideal for protecting machine tools from coolant flow failure, for protecting bearings from loss of lubricant or to assure proper air flow. They offer an infinite number of flow settings at pressures up to 68 bar (1000 PSIG), with low pressure drop and precise repeatability.

The adjusting vane is easily field adjustable using an ordinary flat-bladed screwdriver. The adjustment is set-screw-locked for tamper-free operation after field calibration.

## Specifications

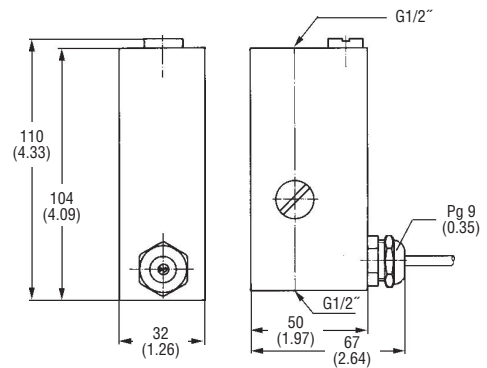
<b>Wetted Materials</b>	
<b>Housing</b>	Brass or Stainless Steel
<b>Piston</b>	Polysulfone (optional Brass) or Stainless Steel
<b>Spring</b>	Stainless Steel
<b>O-Ring</b>	Viton®
<b>Max Flow</b>	85 l/min
<b>Max. Operating Pressure</b>	68 bar (986 PSI)
<b>Proof Pressure</b>	100 bar (1450 PSI)
<b>Temperature Range</b>	
<b>With Polysulfone piston (standard), cable and plug connector</b>	-20°C to +80°C (-4°F to +176°F)
<b>With metal piston and terminal box</b>	-20°C to +150°C (-4°F to +302°F)
<b>Adjustment Range</b>	2 to 75 l/min
<b>Switching Function (Related to Increasing Flow)</b>	NC, NO, SPDT
<b>Mounting Orientation</b>	Any position
<b>Factory Calibration Position</b>	Horizontal, electrical connection up
<b>Repeatability</b>	±1%
<b>Adjustment Accuracy</b>	±10%
<b>Hysteresis, Max.</b>	15%
<b>Mounting</b>	G 1/2"
<b>Electrical Connections</b>	Cable: PVC, 2 or 3 x 0.34 mm <sup>2</sup> (length: approx. 1 m) Plug connector per DIN 43650 Terminal box
<b>Enclosure</b>	IP65
<b>Electrical Data Contact Rating</b>	SPST (NO/NC): 100 VA, 3 A, 220 V~ SPDT: 20 VA, 0.5 A, 250 V~
<b>Weight</b>	1.2 kg

Note: All data related to water at 20°C (68°F).

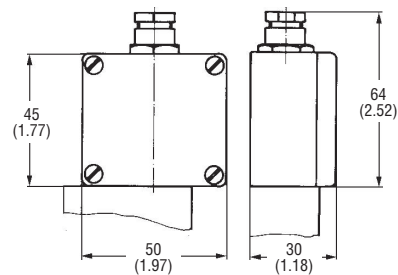


## Dimensions – mm (in)

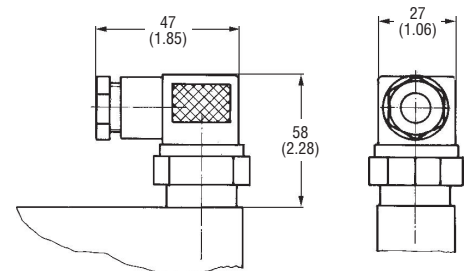
### With Wire Leads and Strain Relief



### With Terminal Box



### With Plug Connector



### How to Order

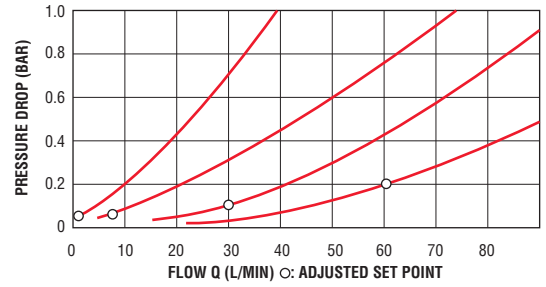
Use the **bold** characters from the chart below to construct a product code.

- SELECT**
1. **FS-10798E** Series: \_\_\_\_\_ **FS-10798E** **M** **P** **W**
2. Housing Material: \_\_\_\_\_ **M**  
**M** - Brass  
**C** - Stainless Steel
3. Electric Connection: \_\_\_\_\_ **P**  
**P** - Cable  
**K** - Terminal Box  
**S** - Plug Connector
4. Type of Contact: \_\_\_\_\_ **W**  
**S** - NO  
**O** - NC  
**W** - SPDT

Note:

1. For mineral oil applications please order brass piston instead of polysulfone piston, -GE169 to the number e.g. FS-925E-0.4-M-P-W-GE169.

### Pressure Drop - Typical



### Wiring Diagram

