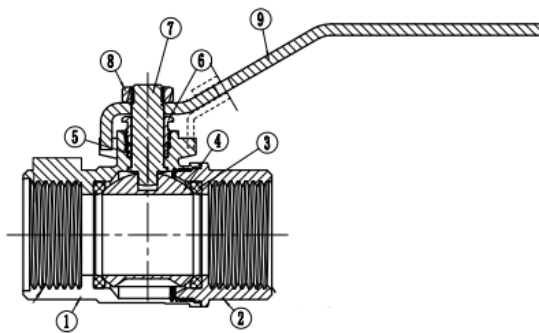
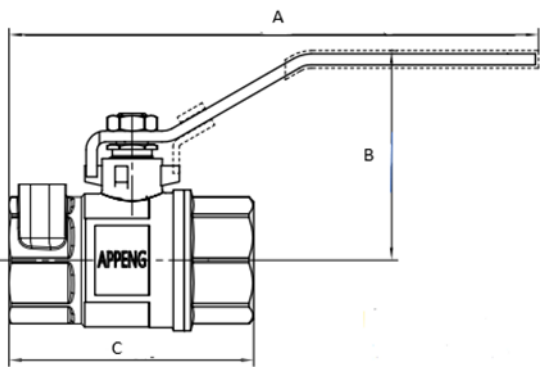


# AE-BVFF



\*WRAS approval pending for 2 1/2" & 3"

## Brass F/F Lockable Ball Valve

DN	A	B	C
1"	160.50	66.20	78.90
1 1/4"	185.00	78.70	87.64
1 1/2"	205.32	81.30	96.90
2"	212.70	89.30	119.60
2 1/2"	312.00	122.00	150.00
3"	325.75	138.00	177.50

### Features

- Screwed BSP Parallel
- PTFE Seats & Seals
- Full Bore
- Locking Lever
- Integrated clamp for monitor installation

Technical Data	
Working Temperature	0°C to 150°C
Max. Pressure : 1" – 1 1/2"	40 Bar
Max. Pressure : 2"	30 Bar
Max. Pressure : 2 1/2" - 3"	16 Bar

N	Part Name	Materials
1	Body	Brass/Nickel Plated
2	Bonnet	Brass/Nickel Plated
3	Seat	PTFE
4	Ball	Stainless Steel
5	Packing	PTFE
6	Packing Nut	Brass
7	Stem	Brass
8	Handle Nut	Stainless Steel
9	Handle	Stainless Steel

Order Number	Description
AE-BVFF100L	1" BSPP BRASS BALL VALVE, Female/Female, Lockable Handle
AE-BVFF125L	1 1/4" BSPP BRASS BALL VALVE, Female/Female, Lockable Handle
AE-BVFF150L	1 1/2" BSPP BRASS BALL VALVE, Female/Female, Lockable Handle
AE-BVFF200L	2" BSPP BRASS BALL VALVE, Female/Female, Lockable Handle
AE-BVFF250L	2 1/2" BSPP BRASS BALL VALVE, Female/Female, Lockable Handle
AE-BVFF300L	3" BSPP BRASS BALL VALVE, Female/Female, Lockable Handle