

FLOW SWITCH AE-VKS JB RANGE

For use in residential and domestic sprinkler systems.

1. PPO Plastic flow switch, paddle type with Brass coupling & Stem.
2. Easy Installation:
 - Insert the Flow Switch
 - Tighten the union nut
3. Low pressure drop
4. Rugged PPO engineering thermoplastic enclosure ensures highest strength & performance
5. Long Term stable set point, reset of paddle by magnetic force
6. Supplied with M12*1.5 cable gland attached, easier to wire than DIN 43650A and comes pre-assembled
7. Normally Open, closes by flow rise



Technical Data

Pressure Rating	PN16
Medium Temperature	100°C Max
Ambient Temperature	80°C Max
Protection Class	IP64
Switching Current	1 A Max
Minimum Current at 24VDC	50 mA
Switching voltage	250 VAC Max
Switching Capacity	70 W Max
Max Rated Current @230VAC	0.3 A
Max Rated Current @24VDC	1 A
Materials	
Nut/Stem	Brass
Body	PPO
Gasket	NBR
Paddle	Polypropylene

Environmental Specifications:

IP64 Rated enclosure suitable for indoor or outdoor use. When used outdoors, it is recommended to protect the external parts against rain, snow, sun and impact.

If the flow switch is subjected to temperature near freezing there is a risk of blocking the pipe, or damage to the unit in case of freezing liquid inside the pipe. It is therefore necessary to prevent freezing of liquid inside the pipe.

Setpoint (recommended mounting in horizontal pipes)	25 l/min
Setpoint tolerance	+/-15%
Max Surge	5,5 m/s

Order Codes	AE-VKS25M2APENG14/JB	1"
	AE-VKS40M2APENG17/JB	1 ¼"
	AE-VKS40M2APENG18/JB	1 ½"
	AE-VKS50M0APENG19/JB	2"
Switching	Contact closes at increasing flow	

FLOW SWITCH AE-VKS INSTALLATION GUIDE

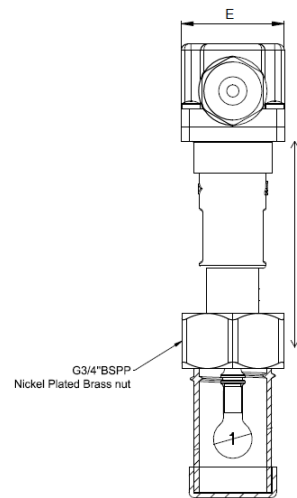
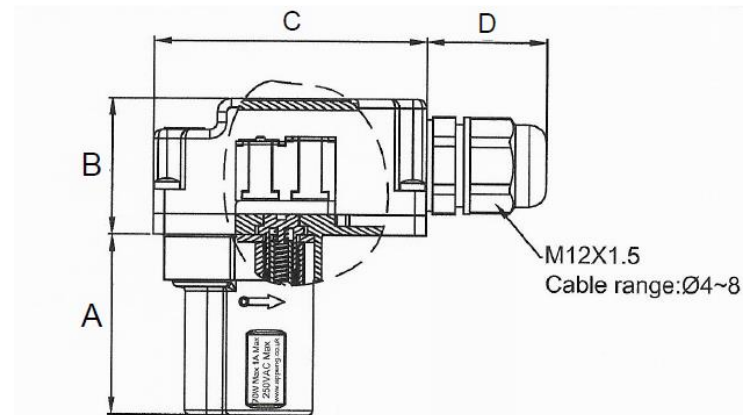
Use: General application in residential sprinkler system flow detection. Recommended mounting position is on a horizontal pipe, but can be mounted in a vertical position. For use in Applications Engineering valve sets of sizes 1", 1 ¼", 1 ½", 2" and a 1" CPVC Tee with adaptor. The flow switch model ordered will come complete for intended use with no adjustment to be made, all paddles come from the factory in the correct size and should not be cut or tampered with under any circumstances. Paddle sizes of each water flow switch have been designed in accordance with EN12259 and to ensure operation at the correct flow rate.

Function: Balanced mechanical paddle mounted perpendicular to the flow switch and activating a reed switch through the internal housing wall. The return of the paddle is by magnetic activation, without a spring.

Installation: Screw the union nut onto ¾" male thread, recommended torque: 10±1 Nm, ensure that the arrow on housing is in the correct orientation and is parallel to the flow arrow on the valve set. Sealing is made by tightening down the O-ring on the flow switch to the ¾" Male thread.

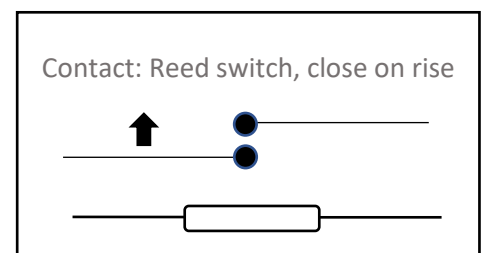
Maintenance: Inspect switches monthly for leaks. If leaks are found, replace the switch. AE-VKS JB water flow switch should provide years of trouble-free service.

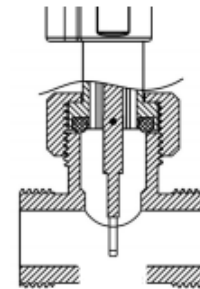
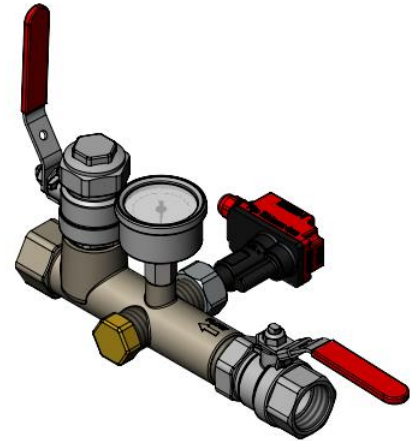
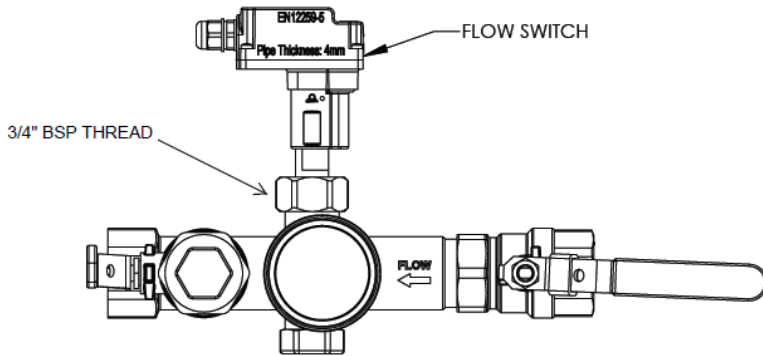
Removal: To prevent water damage, all control valves should be shut tight and the system completely drained before switches are removed. Disconnect wiring, turn the switch counter clockwise to disengage the pipe threads.



A	39mm
B	30mm
C	60mm
D	30mm
E	32mm
F	62.5mm

Technical Data	
Setpoint:	25 l/min +/- 15
Switching function	Contact to close at increasing flow
Mounting Position	Horizontal or Vertical Pipe
Protection Class	IP64

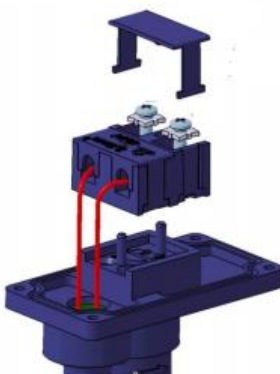




Installation: Screw the flow switch into the appropriate size Applications Engineering Valve Set or CPVC Tee piece with adaptor as shown above with the 3/4" BSP Female thread on the flow switch screwing into the 3/4" Male thread.

Important – Switch should only be installed onto Applications Engineering products as the they have been specifically designed to operate at the correct flow rate. No other products are allowed.

Pipe Dimensions	
Part Number	Manifold
AE-VKS25M2APENG14/JB	1" Applications Engineering Manifold
AE-VKS40M2APENG17/JB	1 1/4" Applications Engineering Manifold
AE-VKS40M2APENG18/JB	1 1/2" Applications Engineering Manifold
AE-VKS50M0APENG19/JB	2" Applications Engineering Manifold



Wiring: It is necessary to remove the lid of the box to make the connection. With a suitable screwdriver, loosen the four cover screws. Remove the connection block protection clip, and prior to connecting the cable, pass it through the cable gland. Screw terminals are a volt free contact that are not polarity sensitive. Tighten Cable into screw terminals on the body of the switch, ensure they are tightened securely. Then put the connection block clip, then the lid, tighten the screws, and then tighten the cable gland on the cable to protect against water penetration.