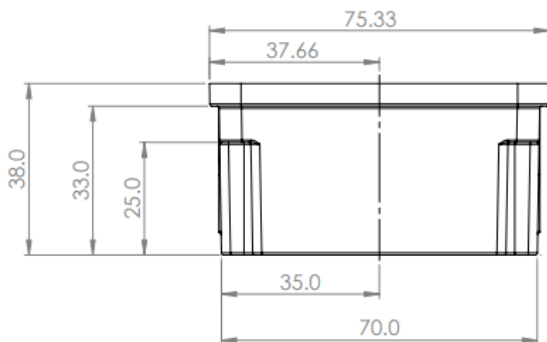
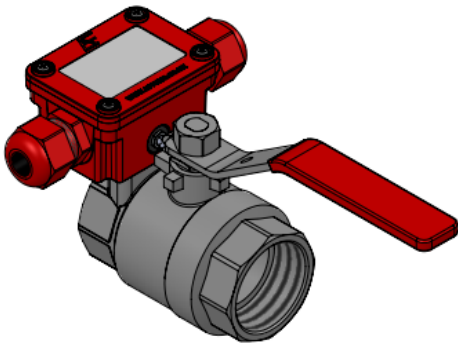


# Monitored Ball Valve



Electrical Protection: IP54

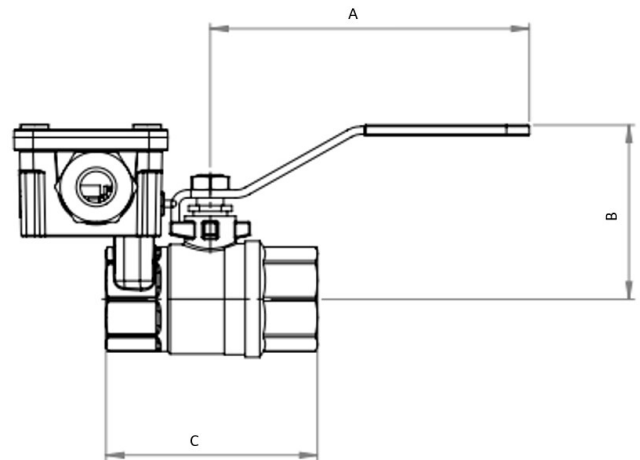
Compliant to BS 9251: 2021

Applications Engineering's Monitored Ball Valve (MBV) is designed to monitor the fully open position of a ball valve. The MBV has a toggle switch, which is activated when the ball valve handle is moved from the fully open position.

The MBV can be fitted onto an Applications Engineering Ball Valve or onto an Applications Engineering Fire Sprinkler Valve Set. For both options it currently comes in size 1", 1 1/4", 1 1/2", 2", 2 1/2" and 3".

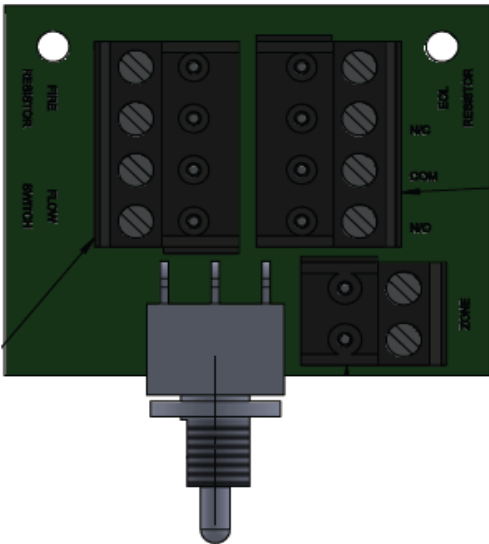
Part	Material
Housing	Fire Resistant ABS
Ball Valve	Nickel Plated Brass

Please see the [AE-BVFF](#) datasheet for more information on the ball valve.



DN	A	B	C
1"	119.00	66.20	78.90
1 1/4"	140.00	78.70	87.64
1 1/2"	157.00	85.00	97.00
2"	157.00	93.00	120.50
2 1/2"	237.00	122.00	150.00
3"	237.00	138.00	177.50

# Monitored Ball Valve



The MBV has two methods of wiring:

The switch has SPDT contacts and can be used simply for just normally open or normally closed operation.

The other method of wiring is in conjunction with a fire sprinkler panel. For use with a fire sprinkler panel there are terminals for an end of line resistor and fire resistor so that the output from the device can be connected into a dedicated zone on the fire panel, signalling fault when the ball valve is closed.



The MBV is a 1-piece construction that makes mounting easy and fully retrofittable to any Applications Engineering Ball Valve or valve set. The housing can be easily screwed into place from the top into the pre-moulded clamp.

Order Number	Description
AE-MBV-100-BV-W	1" Ball Valve, MBV and 1m of FP200 cable pre-wired
AE-MBV-125-BV-W	1 ¼" Ball Valve, MBV and 1m of FP200 cable pre-wired
AE-MBV-150-BV-W	1 ½" Ball Valve, MBV and 1m of FP200 cable pre-wired
AE-MBV-200-BV-W	2" Ball Valve, MBV and 1m of FP200 cable pre-wired
AE-MBV-250-BV-W	2 1/2" Ball Valve, MBV and 1m of FP200 cable pre-wired
AE-MBV-300-BV-W	3" Ball Valve, MBV and 1m of FP200 cable pre-wired
AE-MBV-100-BB-W	1" Ball Valve, MBV, 1m of FP200 cable pre-wired & 2 CPVC adaptors fitted
AE-MBV-125-BB-W	1 ¼" Ball Valve, MBV, 1m of FP200 cable pre-wired & 2 CPVC adaptors fitted
AE-MBV-150-BB-W	1 ½" Ball Valve, MBV, 1m of FP200 cable pre-wired & 2 CPVC adaptors fitted
AE-MBV-200-BB-W	2" Ball Valve, MBV, 1m of FP200 cable pre-wired & 2 CPVC adaptors fitted