

KYTOLA® Model TLA variable area flow meter is a sturdy industrial flow meter with heavy-duty impact resistant polymer flow tube.

This meter is a reliable instrument for measuring and monitoring large lubrication oil flows.



- For oil
- Sturdy construction
- Easy to read also with dark oils
- Alarm-ready

## OIL FLOW METER TLA

### FEATURES

Protected flow tube

Relative scale 10–100% or direct reading scale in required flow unit

### TYPICAL APPLICATIONS

Oil circulation lubrication monitoring in pulp & paper and steel mills

### OPTIONS

Inductive low and/or high flow alarm

PES flow tube

Model	TLA
Flow range	Oil at 150 cSt: smallest range 0.5 – 32 L/min, max. range 12 – 170 L/min Oil at 220 cSt: smallest range 0.2 – 27 L/min, max. range 10 – 130 L/min
Connections	G 2" or NPT 2"
Max. pressure	20 bar
Max. temperature	80°C (*120°C)
Weight	3.3 kg
End blocks	Aluminium
Flow tube	Grilamid (PA-12), *PES
Float	AISI 329
Seals	Viton® <span style="float: right;">*) Special construction</span>

TL ■ - ■ ■ ■

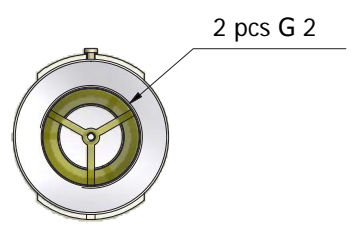
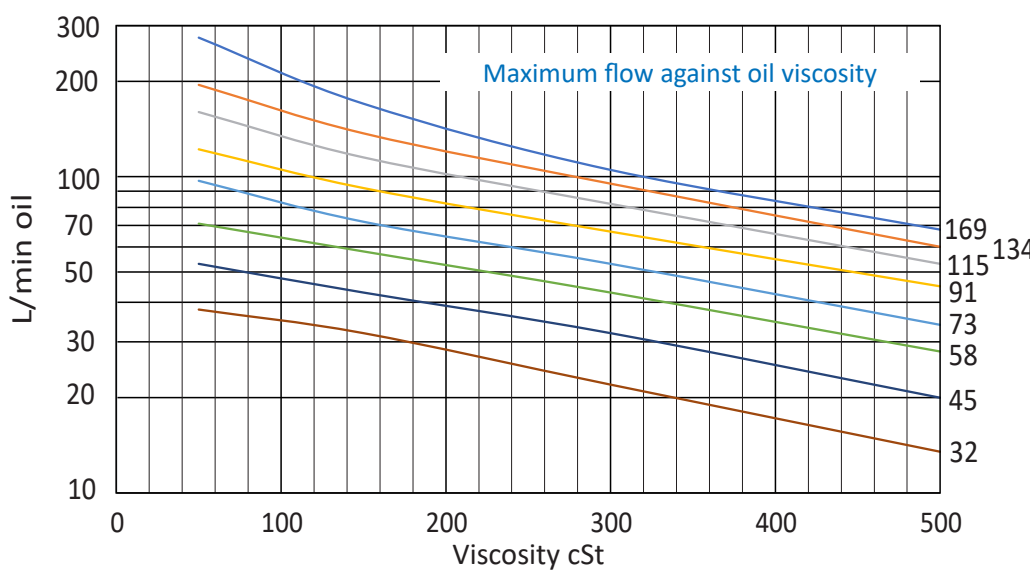
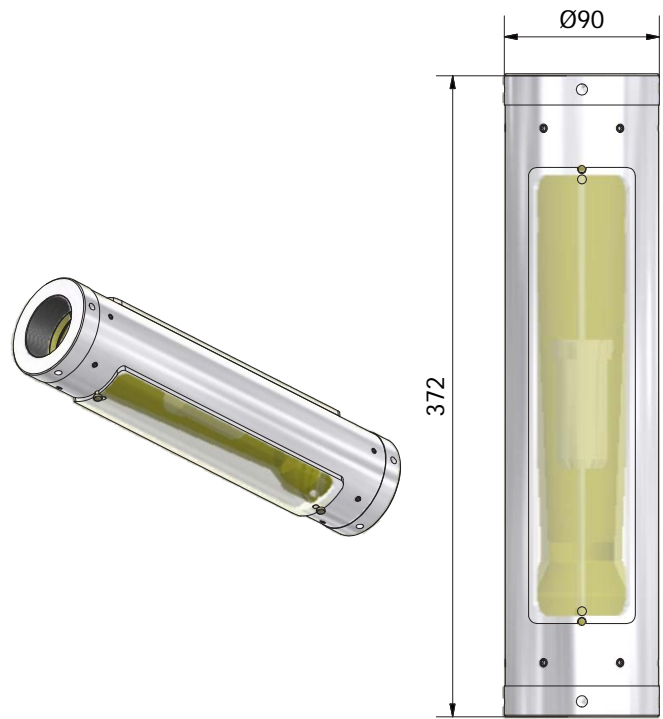
End Block Material	
Aluminium (standard)	A

Scale Maximum Oil Flow, 150 cSt oil, L/min (approx.)	
32	32
45	45
58	58
73	73
91	91
115	115
134	134
169	169

Scale	
10...100%	blank
Factory assigned number for direct reading scale	xxxx

Options	
Alarm readiness (standard)	D
NPT connections	N
PES flow tube	V

Standard feature: leave *blank*  
Special feature: choose character



Copyright © Kytola Instruments Oy 2023. Dimensions and measurements are given within normal tolerances. Manufacturer reserves the right to changes without prior notification. TLA\_oil\_es10\_en Published 3/2023



www.kytola.com



**Kytola Instruments Oy**  
Olli Kytölän tie 1  
FI-40950 Muurame, Finland  
Tel. +358 20 779 0690  
info@kytola.com