

KYTOLA® Model VExA variable area flow meter is a sturdy industrial flow meter with heavy-duty impact resistant polymer flow tubes.

This meter is a reliable instrument for measuring and monitoring lubrication oil flows.



- Sturdy construction
- Multi-tube version, 1 – 7 flow tubes
- Easy to install, clean and maintain
- Easy to read also with dark oils
- Alarm-ready

ISO 9001 ISO 14001

## OIL FLOW METER VExA

### FEATURES

- Flow adjustment valve
- Quick-change tube
- Large selection of flow ranges
- Relative scale 20–100% or direct reading scale in required flow unit

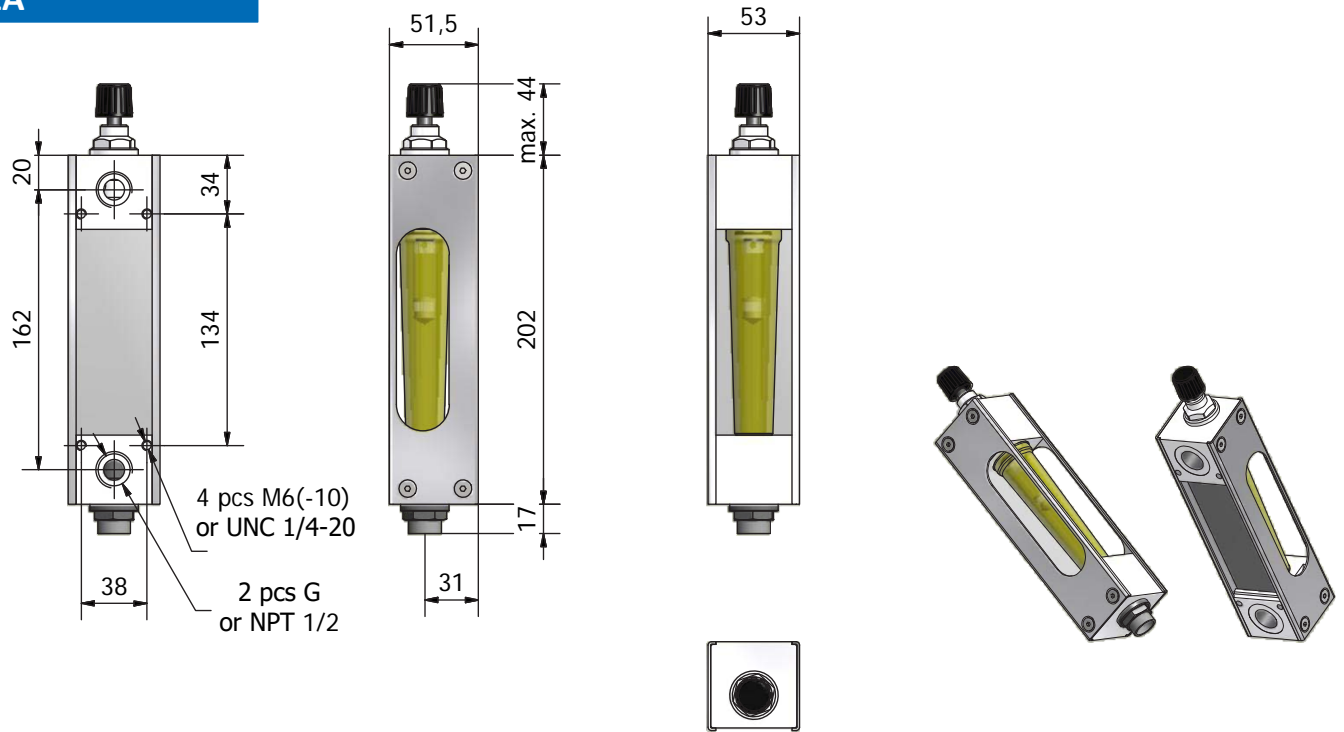
### TYPICAL APPLICATIONS

Oil circulation lubrication monitoring in pulp & paper and steel mills

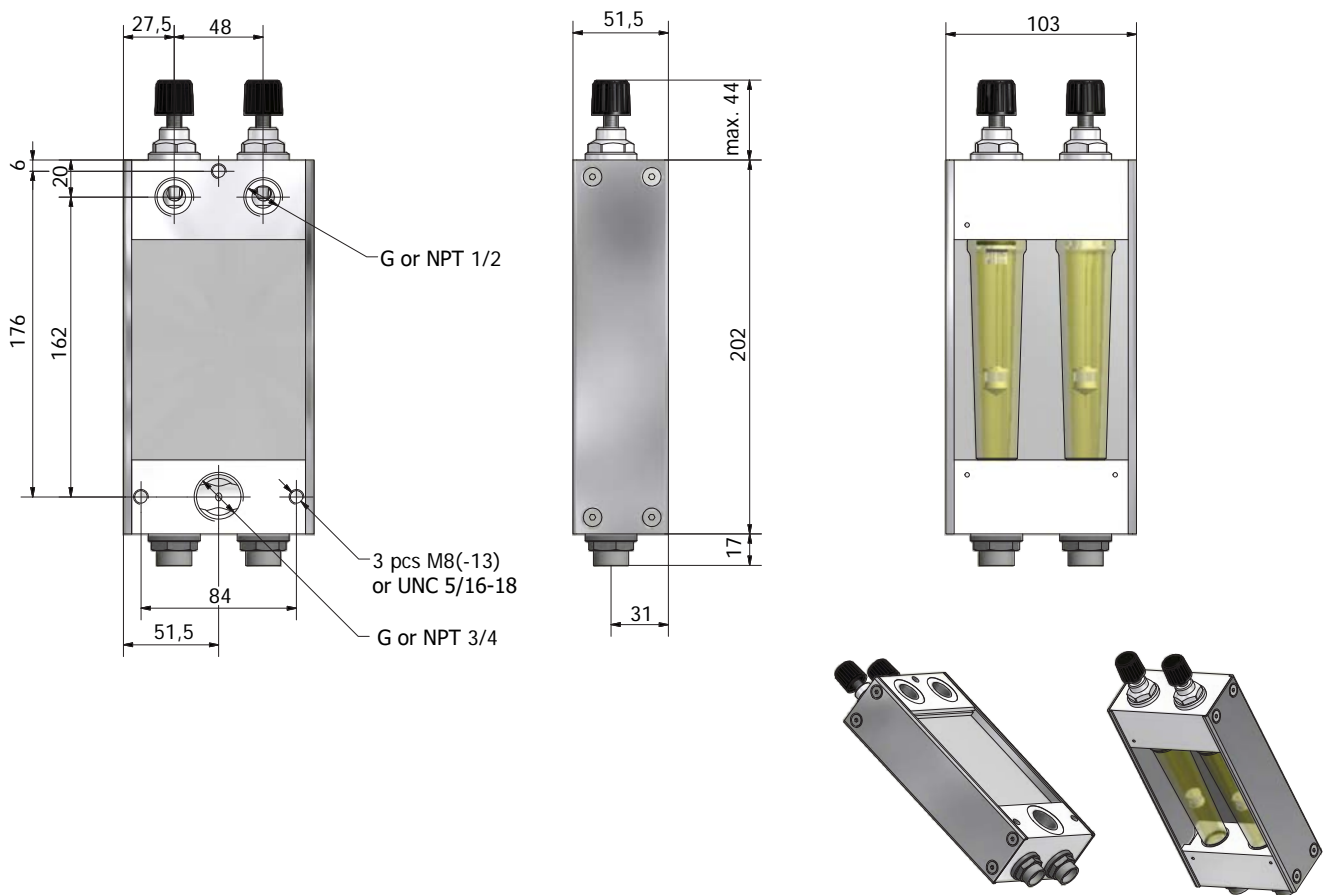
### OPTIONS

- Inductive low flow alarm
- Mounting accessories
- Plexiglass front cover

## VEA



## VE2A



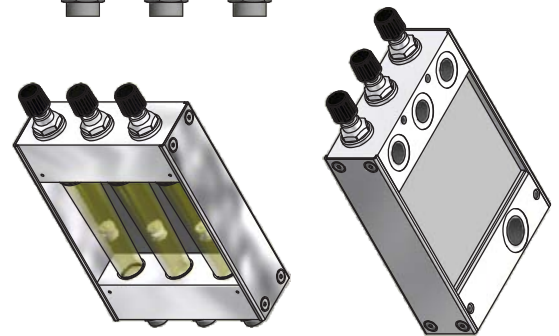
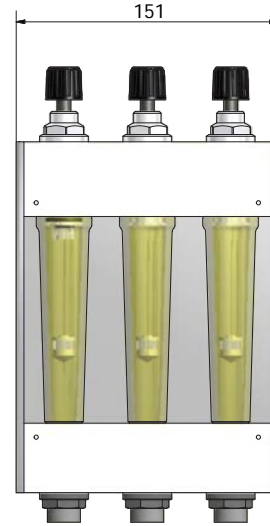
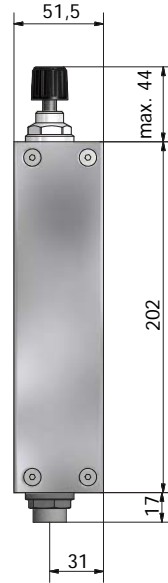
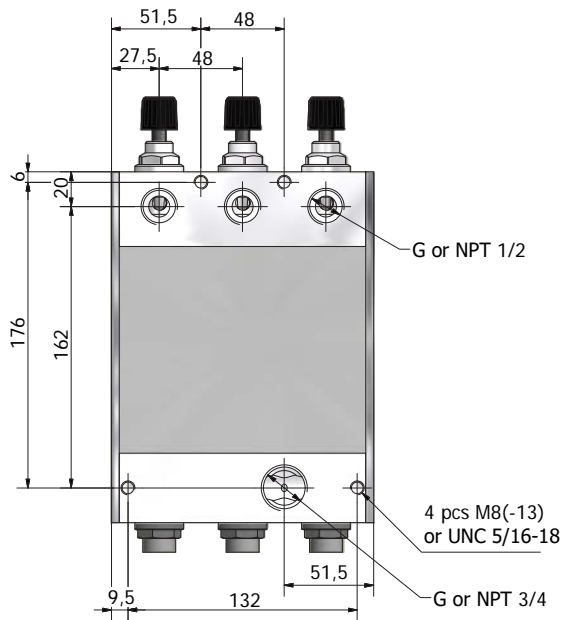
**Kytola**  
INSTRUMENTS

[www.kytola.com](http://www.kytola.com)

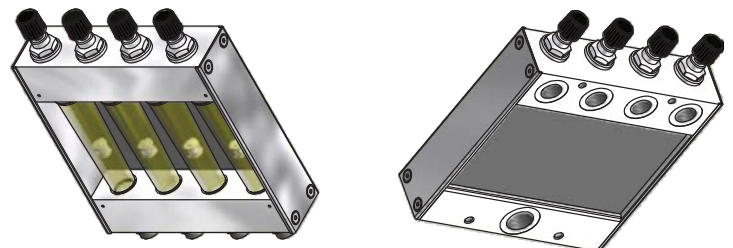
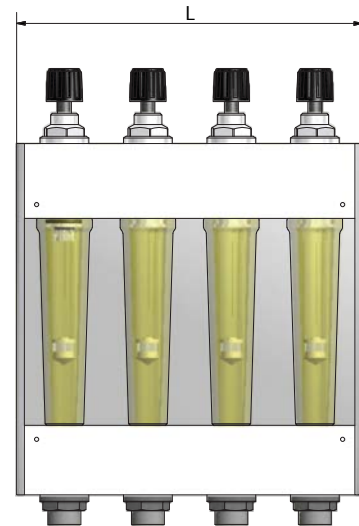
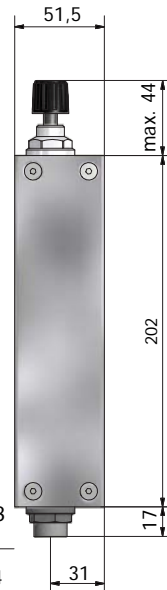
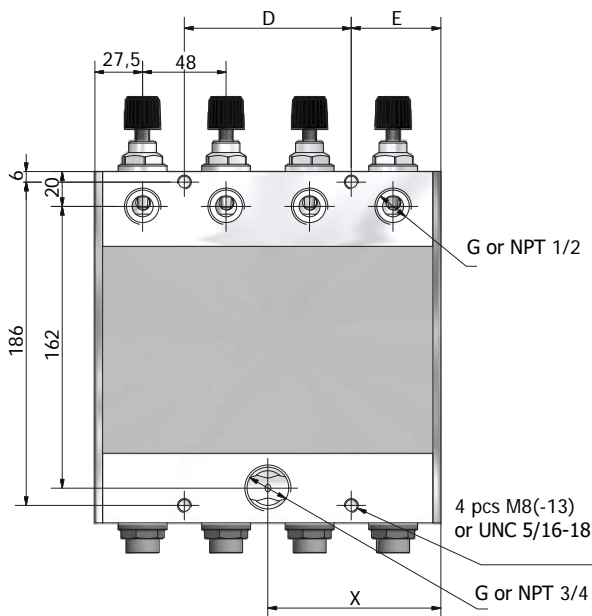


**Kytola Instruments Oy**  
Olli Kytölän tie 1  
FI-40950 Muurame, Finland  
Tel. +358 20 779 0690  
[info@kytola.com](mailto:info@kytola.com)

## VE3A



## VE4A (...VE7A)



	VE4	VE5	VE6	VE7
<b>L</b>	199	247	295	343
<b>X</b>	99.5	99.5	147.5	147.5
<b>D</b>	96	144	192	240
<b>E</b>	51.5	51.5	51.5	51.5

**Kytola**  
INSTRUMENTS

www.kytola.com



**Kytola Instruments Oy**  
Olli Kytölän tie 1  
FI-40950 Muurame, Finland  
Tel. +358 20 779 0690  
info@kytola.com

Model	VExA for oil
Flow range	Oil at 150 cSt: smallest range 0.02 – 0.2 L/min, max. range 2 – 10 L/min Oil at 220 cSt: smallest range 0.02 – 0.14 L/min, max. range 1 – 7 L/min
Number of tubes	1–7
Max. pressure	30 bar
Max. temperature	80°C
End blocks	Aluminium
Flow tube	Grilamid (PA-12)
Valve	Aluminium / AISI 316
Seals	Viton®
Connections	Single tube models: G 1/2" or NPT 1/2" Multi-tube models: inlet G 3/4" or NPT 3/4", outlets G 1/2" or NPT 1/2"

VE		-			
<b>Tubes</b>					
Single tube	<i>blank</i>				
Number of tubes (2–7)	<b>x</b>				
<b>End Block Material</b>					
Aluminium (standard)	<b>A</b>				
<b>Scale Maximum Oil Flow, 150 cSt oil, L/min (approx.)</b>					
0.2	<b>02</b>				
0.3	<b>03</b>				
0.5	<b>05</b>				
0.7	<b>07</b>				
0.8	<b>08</b>				
1.0	<b>10</b>				
1.3	<b>13</b>				
1.5	<b>15</b>				
1.9	<b>19</b>				
2.3	<b>23</b>				
3.0	<b>30</b>				
3.6	<b>36</b>				
4.1	<b>41</b>				
5.5	<b>55</b>				
7.3	<b>73</b>				
10.3	<b>103</b>				
<b>Scale</b>					
20...100%	<i>blank</i>				
Factory assigned number for direct reading scale	<b>XXXX</b>				
<b>Options</b>					
Alarm readiness (standard)	<b>D</b>				
NPT connections	<b>N</b>				

