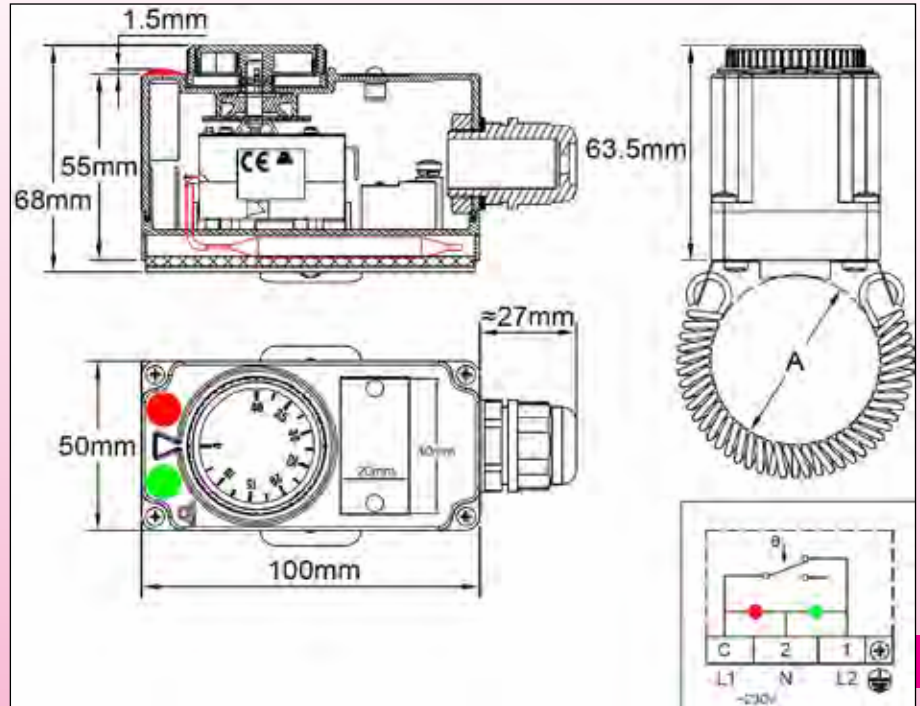


# Thermostats with IP65 plastic housings, Type Y2

## External knob adjustment IP65 pipe mounting thermostat, two pilot lights, Type Y2H



**Housing:** IP65, 100 x 50 x 75 mm, PC-ABS, 20%FG, UL94V0. High impact and UV resistance, with silicone waterproof gasket on thermostat shaft.

This thermostat is provided with a V shaped temperature sensitive aluminum backside to put in contact with a pipe, and two lugs for spring mounting. Suitable for pipes from 30 to 70 mm diameter

**Electrical input:** ISO M20 cable gland, Black PA66, IP67, for cables from 6 to 12 mm dia.

**Temperature adjustment:** By temperature printed knob, this knob has an adjustable rotation limit system located inside the knob that allows reducing the set point adjustment span

**Sensing element:** Liquid filled capillary, located inside the aluminum part

**Adjustment ranges:** 30-90°C (85-195°F), 30-110°C (85-230°F)

**Pilot lights:** Allow to visualize the power supply and thermostat contact position (Phase and Neutral power supply is mandatory for pilot lights)

**Electrical connections:** Inside, on screw terminal connection block

**Mounting:** By spring on pipe

**Identification:** The cover can be fitted with a 20x40mm riveted stainless steel identification plate (standard) or with a sticker (Option)

**Electrical rating:**

- Open on temperature rise contact (C-1) 16A(2.6) 250VAC

- Electrical life >100.000 cycles.

Cannot be used in 400VAC. 115V model on request

**Minimum Storage temperature:** -35°C (-30°F)

**Maximum ambient temperature:** 110°C (230°F)

### Main references

References with knobs printed in °C	Temperature adjustment range °C	Differential °C	References with knobs printed in °F	Temperature adjustment range °F	Differential °F
Y2H8GB030090AA66	30-90°C	4±3°C	Y2H8GB030090AA67	85-195°F	7±5.5 °F
Y2H8GB030110AA66	30-110°C	5±3°C	Y2H8GB030110AZ67	85-230°F	9±5.5 °F